

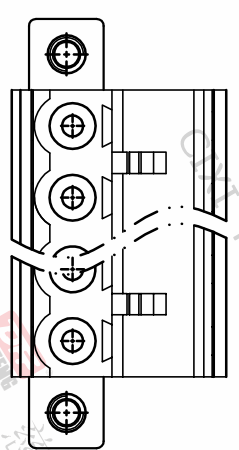
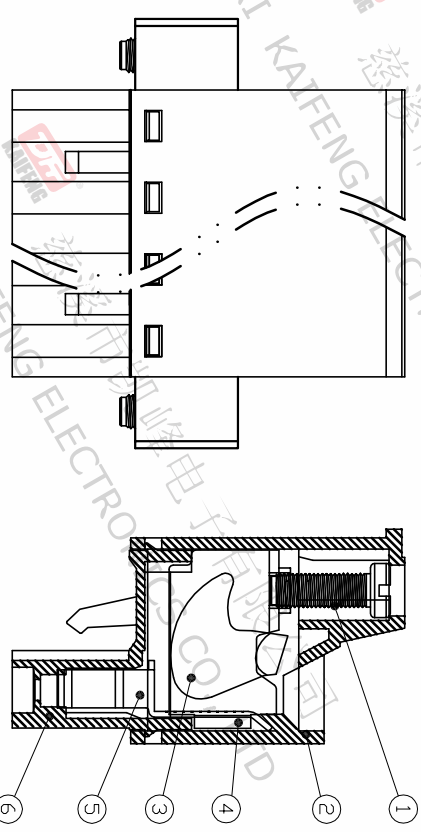
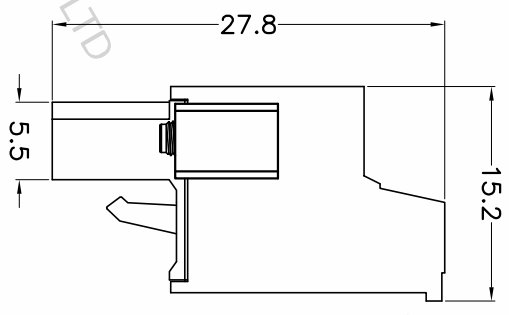
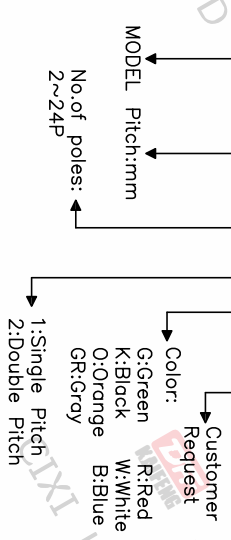
REV.	DESCRIPTION	DATE	DRAFTER	APPROVER
A1	DWG.REL	2020.6.02	ZHANG	JIN

- Material
  - ①Screw: M2.5 steel, Zinc plated, \*-- slot type
  - ②Housing : PA66, UL94V-0
  - ③Hardware 1: Steel, Zinc plated
  - ④Hardware 1: Steel, Zinc plated
  - ⑤Contact : Copper alloy, Tin plated
  - ⑥Cover : PA66, UL94V-0

- Electrical
  - UL IEC
  - Rated voltage : 300V 320V
  - Rated current : 15A 20A
  - Contact resistance : 20mΩ(Max)
  - Insulation resistance : 500MΩ/DC500V
  - Withstanding Voltage : AC2000V/1min
  - Wire range : 28-14AWG 2.5mm<sup>2</sup>

- Mechanical
  - Operating temperature: -40°C ~ +105°C
  - Soldering temperature: 250°C ± 5 / 5sec
  - Torque: 0.4N.m (3.54lbf.in)
  - Strip length: 7-8mm
- RoHS compliance

HOW TO ORDER  
 KF203M-5.08-XXP-1 X-XXXXX



Pitch range	Nominal dimension range	PROJECTION
>0	>0	0.1/10
~6	~30	≤
~10	~60	
~24	~100	
±0.15	±0.30	±2°
	±0.50	
	±0.70	
	±1.00	
	±1.30	

DRAWING TYPE	CUSTOMER DRAWING
SCALE	1:1
SHEET	1 OF 1
DRAWING NO.	W10001562

PROJECTION	UNIT	TITLE
mm	mm	KF203M-5.08-XXP-1X
SHEET SIZE	A4	SERIES
		KF203M

**DFE** 慈溪市凯峰电子有限公司  
 CIXI KAIFENG ELECTRONICS CO.,LTD