

REV.	DESCRIPTION	DATE	DRAFTER	APPROVER
A1	DWG.REL	2020.05.22	DENG	JIN

- Material
 ØScrews : M3.0 steel, Zinc plated,
 * slot type
 ØHousing : PA66, UL94V-0
 ØClamp : Copper alloy, Ni plated
 ØPin header : Copper alloy, Tin plated

- Electrical UL IEC
 Rated voltage : 300V 450V
 Rated current : 20A 20A
 Contact Resistance: 20mΩ
 Insulation resistance: 500MΩ/DC500V
 Withstanding Voltage : AC2500V/1min
 Wire range: 24-12AWG 4.0mm²
- Mechanical
 Operating temperature: -40°C ~ +105°C
 Soldering temperature: 250°C ±5 / 5sec
 Torque: 0.8N.m (7.02Lb.in)
 Strip length: 6-7mm

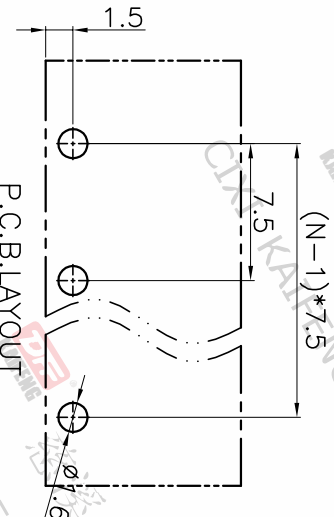
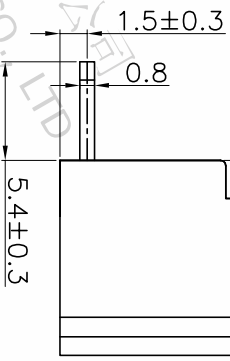
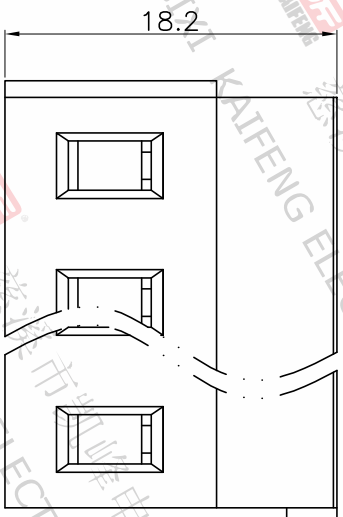
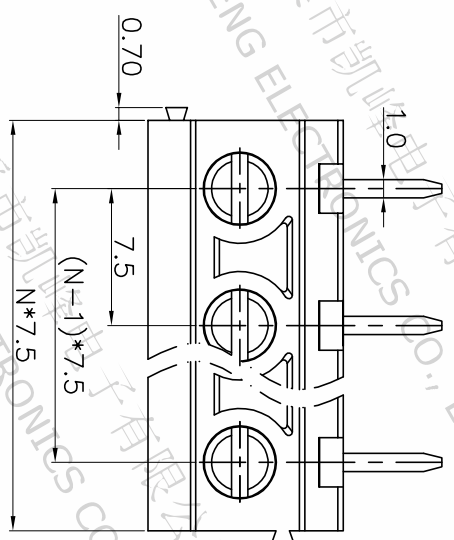
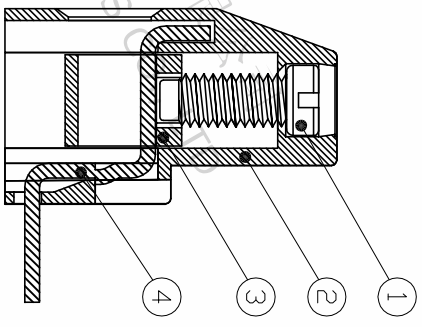
• RoHS compliance

HOW TO ORDER
 KF129R-7.5-XXP-1 X-XXXXX

MODEL Pitch:mm
 No. of poles: 2~24P

Color: Requester
 G:Green R:Red
 K:Black W:White
 O:Orange B:Blue
 GR:Grey

1:Single Pitch
 2:Double Pitch



P.C.B. LAYOUT

Pitch range	Nominal dimension range	Projection	UNIT
>0	>0	0.1/10	mm
~6	>30		
~10	~60		
~24	~100		
~30	~150		
±0.15	±0.30	±2°	
±0.20	±0.30		
±0.30	±0.50		
±0.70	±1.00		
±1.30	±1.30		

DRAWING TYPE	CUSTOMER DRAWING
SCALE	1:1
SHEET	1 OF 1
DRAWING NO.	W15000672

TITLE
 KF129R-7.5-XXP-1X

SHEET SIZE
 A4

SERIES
 KF129

DF 慈溪市凯峰电子有限公司
 CIXI KAIFENG ELECTRONICS CO.,LTD