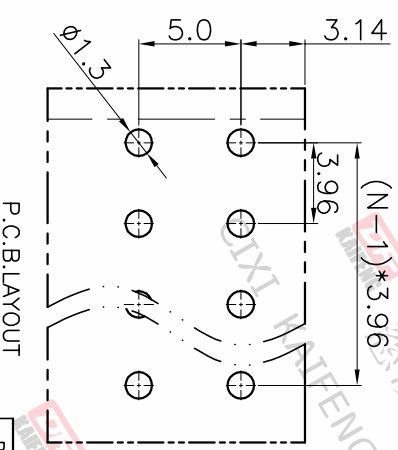
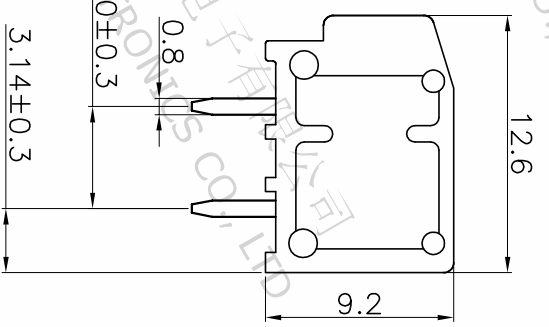
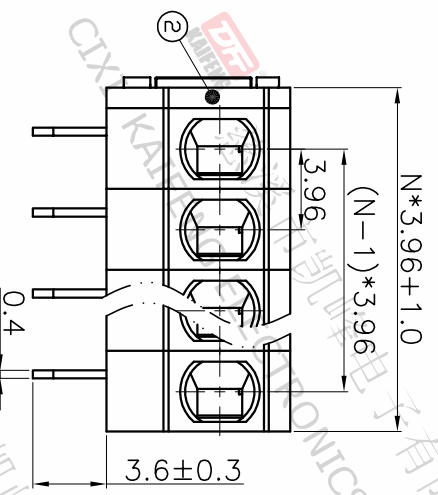
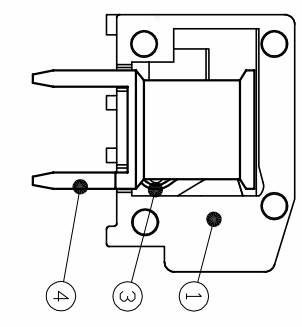
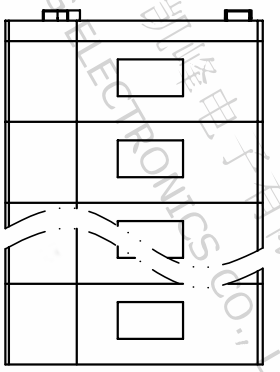


REV.	DESCRIPTION	DATE	DRAFTER	APPROVER
A1	DWG.REL	2020.05.28	DENG	JIN



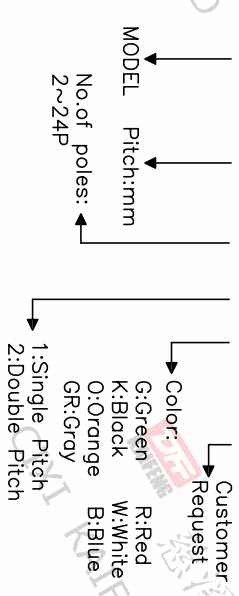
- Material
 @Housing : PA66, UL94V-0
 @Cover : PA66, UL94V-0
 @Reed : Stainless steel
 @Pin header : Copper alloy, Tin plated

- Electrical
 UL IEC
 Rated voltage : 300V 250V
 Rated current : 5A 10A
 Contact resistance : 20mΩ(Max)
 Insulation resistance: 500MΩ/DC500V
 Withstanding Voltage : AC2000V/1min
 Wire range: 20-18AWG 1.5mm²

- Mechanical
 Operating temperature: -40°C~+105°C
 Soldering temperature: 250°C±5/5sec
 Strip length: 9-10mm

- RoHS compliance

HOW TO ORDER
 KF124A-7.5-XXP-1 X-XXXXX



Pitch range	Nominal dimension range	PROJECTION
>0	>0	0.1/10
~6	~30	□
~10	~60	□
~24	~100	□
~30	~150	□
~60	~150	□
~100	>150	□
~150	>150	□
±2'	±2'	□

DRAWING TYPE	CUSTOMER DRAWING	SHEET	1 OF 1
SCALE	1:1	SHEET	1 OF 1

DRAWING NO.	W15000282	PROJECT	TITLE
UNIT	mm	PROJECT	KF124A-3.96-XXP-1X
SHEET SIZE	A4	SERIES	KF124A

DFE
 慈溪市凯峰电子有限公司
 CIXI KAIFENG ELECTRONICS CO.,LTD

