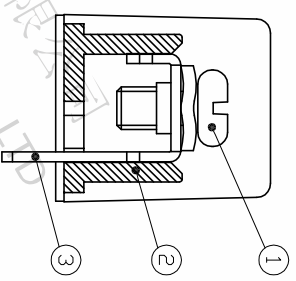
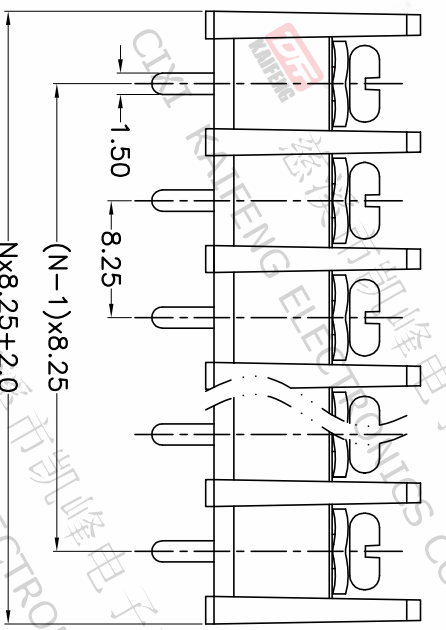
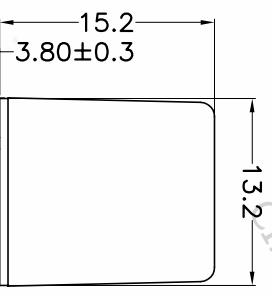
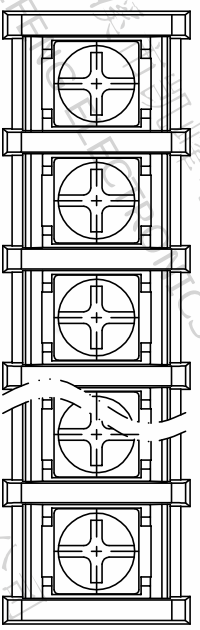


REV.	DESCRIPTION	DATE	DRAFTER	APPROVER
A1	DWG.REL	2020.05.20	LiuZH	JIN



- Material
 ØScrews : M3.0 steel, Ni plated
 ØHousing : PA66, UL94V-0
 ⓉTerminal : Brass, Tin plated

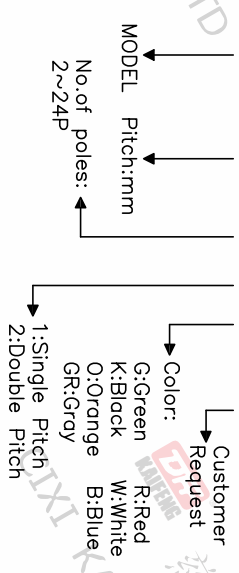
- Electrical
 UL IEC
 Rated voltage : 300V 450V
 Rated current : 20A 24A
 Contact resistance : 20mΩ(Max)
 Insulation resistance: 500MΩ/DC500V
 Withstanding Voltage : AC2000V/1min
 Wire range: 22-12AWG 2.5mm²

- Mechanical
 Operating temperature: -40°C ~ +105°C
 Soldering temperature: 250°C ±5/5sec
 Torque: 0.5N.m (4.43lb.in)

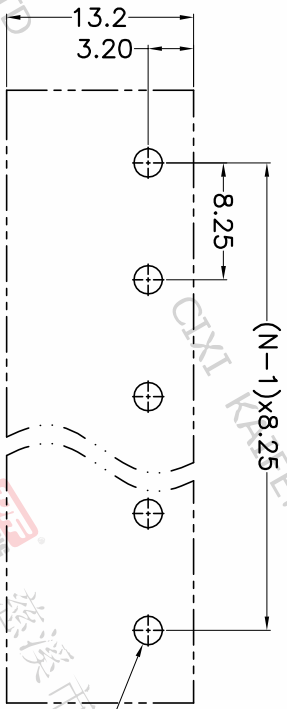
• RoHS compliance

HOW TO ORDER

KF-30S-8.25-XXP-1 X-XXXXX



P.C.B.LAYOUT



Pitch range	Nominal dimension range	□	▢
>0	>0	0.1/10	
~6	~30		≤
~10	~60		
~24	~100		
~30	~150		
±0.15 ±0.20 ±0.30 ±0.50 ±0.70 ±1.00 ±1.30	±0.30 ±0.50 ±0.70 ±1.00 ±1.30		±2°

DRAWING TYPE	CUSTOMER DRAWING
SCALE	1:1
SHEET	1 OF 1
DRAWING NO.	W12000632

PROJECTION	UNIT	TITLE
	mm	KF-30S-8.25-XXP-1X
SHEET SIZE	A4	SERIES
		KF-30S

DF 慈溪市凯峰电子有限公司
 CIXI KAIFENG ELECTRONICS CO.,LTD