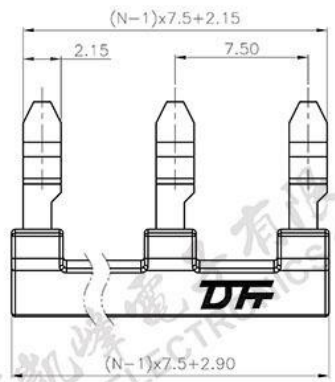
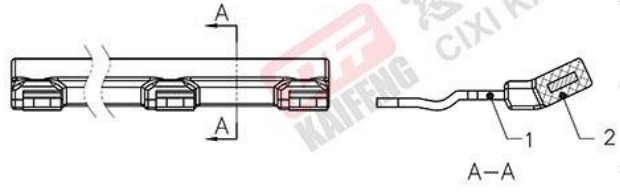
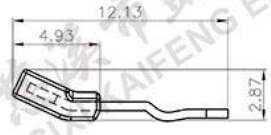


| REV. | DESCRIPTION | DATE | DRAFTER | APPROVER |
|------|-------------|-----------|---------|----------|
| V1.0 | DWG.REL | 2020.6.02 | ZHANG | JIN |



- Material
 - ①Housing : PA66, UL94V-0
 - ②Metal part: Copper alloy, Tin plated
- Electrical IEC
 - Rated voltage : 630V
 - Rated current : 12A
- Mechanical
 - Operating temperature: -40°C ~ +105°C
- Conform to REACH and RoHS

HOW TO ORDER
 2KF005-7.5-XXP-1 X-XXXXX

MODEL Pitch:mm

No.of poles:
 2P, 3P

Color:
 G:Green R:Red
 K:Black W:White
 O:Orange B:Blue
 GR:Gray

Customer Request

1:Single Pitch
 2:Double Pitch

| Pitch range | Nominal dimension range | PROJECTION | UNIT | TITLE |
|--------------|-------------------------|------------------|------|-------------------|
| >0 | >6 | 0.1/10 | mm | 2KF005-7.5-XXP-1X |
| ~6 | ~10 | | A4 | SERIES 2KF005 |
| ~10 | ~24 | | | |
| ~24 | ~30 | | | |
| ~30 | ~60 | | | |
| ~60 | ~100 | | | |
| ~100 | ~150 | | | |
| >150 | >150 | | | |
| ±0.15 | ±0.20 | | | |
| ±0.20 | ±0.30 | | | |
| ±0.30 | ±0.50 | | | |
| ±0.50 | ±0.70 | | | |
| ±0.70 | ±1.00 | | | |
| ±1.00 | ±1.30 | | | |
| ±1.30 | ±2 | | | |
| ±2 | | | | |
| DRAWING TYPE | | CUSTOMER DRAWING | | |
| SCALE | | 1:1 SHEET 1 OF 1 | | |
| DRAWING NO. | | W19000042 | | |

DFX 慈溪市凯峰电子有限公司
 CIXI KAIFENG ELECTRONICS CO.,LTD